

Parts Manual

Built-in Oven



Model:
OB60SCEX 1 FP EU

Product Code:
88897-A

care

PRODUCT

Brand Fisher & Paykel
Voltage 220-240v 50 Hz
Model OB60SCEX 1 FP EU
Product Code 88897-A

Description
Brushed stainless steel, electronic clock, classic knob, curved handle, triple glazed door

Fisher & Paykel Appliances Ltd

78 Springs Road, East Tamaki
PO Box 58-732, Greenmount
Auckland, New Zealand
Telephone: 09 273 0600
Facsimile: 09 273 0656

Fisher & Paykel Appliances Ltd U.K

Maidstone Road
Kingston
Milton Keynes
Buckinghamshire
MK10 0BD
England
Telephone: 0845 066 2200
Facsimile: 0845 331 2360
E-mail: customer.care@fisherpaykel.co.uk

Fisher & Paykel Appliances

Unit D2
North Dublin Corporate Park
Swords
Co Dublin
Ireland
Telephone: 1800 625 174
Facsimile: 1800 635 012
E-mail: customer.care@fisherpaykel.ie

CONTENTS

CONTROL PANEL & COMPONENTS	6
CHASSIS ASSEMBLY	8
DOOR ASSEMBLY	10
ELEMENTS AND ACCESSORIES.....	12
FISHER & PAYKEL/ELBA PARTS CROSS REFERENCE	14
NOTES	17

Fisher & Paykel regularly publish Technical Bulletins, which give more details on product changes. To read these bulletins, go to the Cool Blue World website on <http://cbw.fp.co.nz>.

GUIDE TO USING THIS MANUAL

The model covered by this manual is listed on the front cover.

The information detailed in this manual is subject to change without notice. The latest version is indicated by the reprint date and replaces any earlier editions.

The front cover picture shows the type of product and may not necessarily be an exact image of the model covered by the manual.

Kit Parts

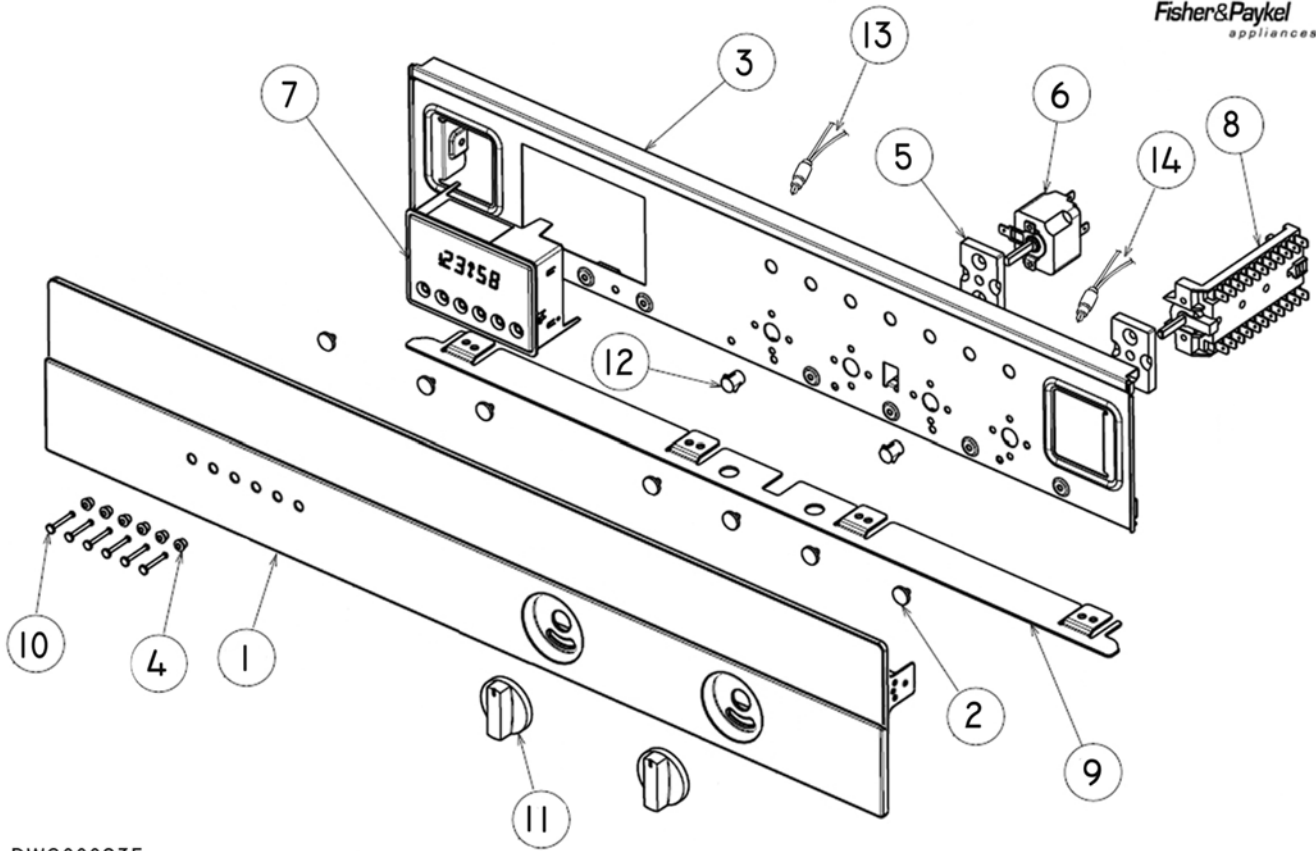
The components shown in *italics with a part number* are those parts in the kit which are available also as separate items. In addition, some parts may be supplied with this kit which are not available as separate items and are therefore either not listed or a part number is not shown against the part description in this manual.

Parts List Key

NOT USED	As a part number, indicates the part is not used in this model.
<i>italics</i>	Kit components or parts included are shown in <i>italics</i> . Refer to above notes: Kit Parts
NI	As a part reference, indicates the part is not illustrated on the diagram.

CONTROL PANEL & COMPONENTS

Fisher & Paykel
appliances

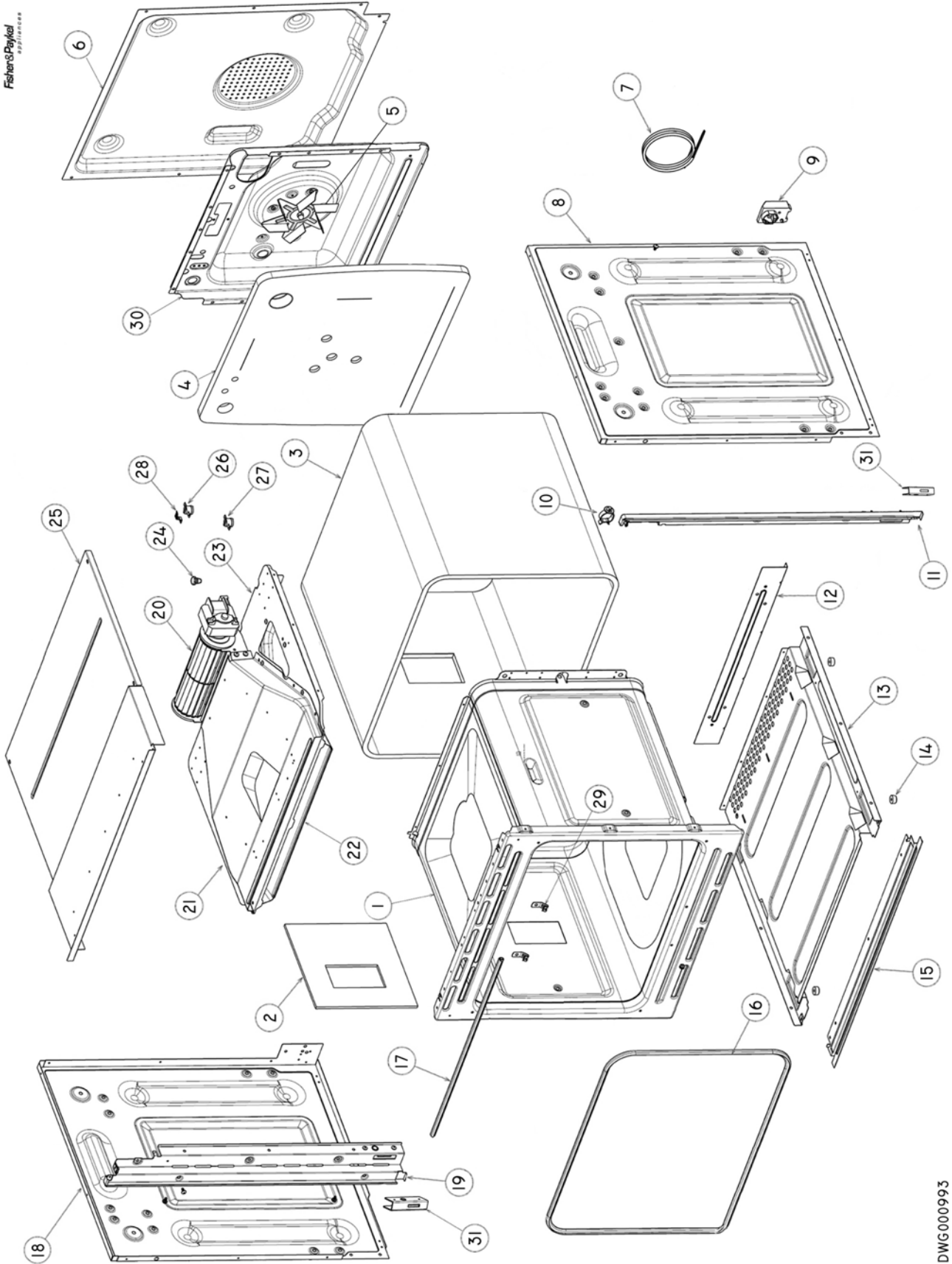


DWG000935

CONTROL PANEL & COMPONENTS

REF	PART	DESCRIPTION
1	574257P	PANEL CTRL O/ASSY OB60SCEW/DEX (SP)
	<i>Includes</i>	<i>PANEL CNTRL LZD 60 HALF 6B2K SS</i>
	<i>Includes</i>	<i>PANEL CNTRL GLASS 60 6B2K</i>
	<i>Includes</i>	<i>BEZEL CYLINDER CLEAR</i>
	<i>Includes</i>	<i>BRACKET CONTROL PANEL</i>
2	574185P	SPACER RUBBER (PKT 10)
3	574252	PANEL CONTRL INTERIOR MTG BK
4	574054P	GROMMET (PKT 6)
5	574210	SPACER PLASTIC 7MM
6	574406	THERMOSTAT EGO EU
7	574199P	CLOCK 6BTN INV EL198/215.111 (SP)
8	574253	SWITCH FUNCTION
9	574116	TRIM DEFLECTOR SS
10	574055P	BUTTON CONTROL LONG (SILVER) (PKT 6)
11	574139	KNOB RECESSED WINGED (SILVER)
12	574207	BEZEL NEON RED
13	574389	NEON L.230 240V EM
14	574391	NEON L.600240V EM

CHASSIS ASSEMBLY



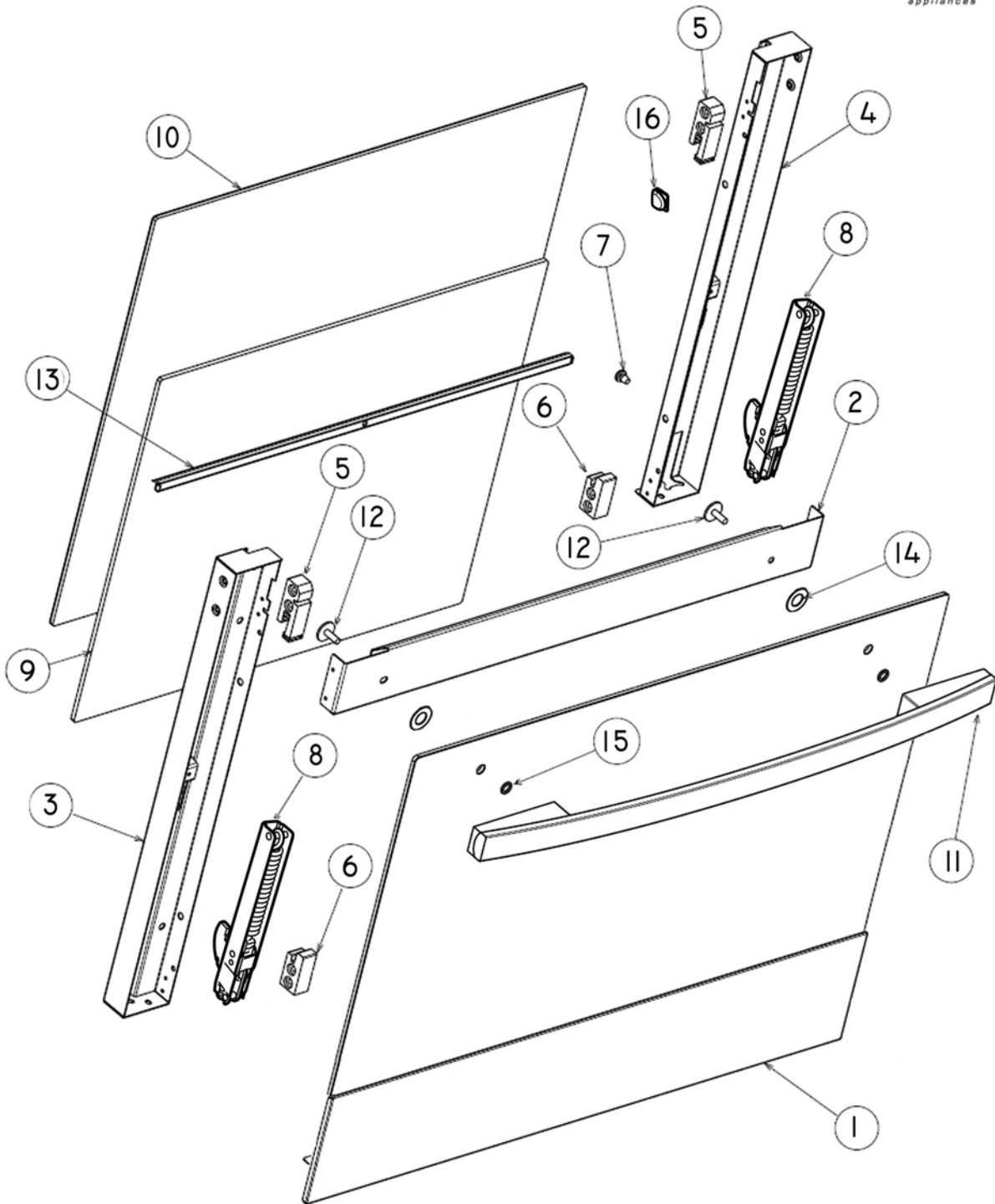
Fisher's Paykel
Appliances

CHASSIS ASSEMBLY

REF	PART	DESCRIPTION
1	574392P	OVEN&FRAME ENAM 53LT EU (SP)
2	574071	INSULATION SIDE LAMP
3	574393	INSUL WRAP CLASS A TERMOVER
4	574394	INSUL REAR CLASS A TERMOVER
5	574400P	FAN KITSET OVEN OB60 (E) EU (SP)
	<i>Includes</i>	<i>FAN MOTOR & MOUNTING</i>
	<i>Includes</i>	<i>FAN BLADE</i>
	<i>Includes</i>	<i>NUT</i>
6	574092	PANEL REAR
7	574184	FLEX MAINS
8	574086	PANEL RIGHT SIDE
9	574131	TERMINAL BLOCK
10	574148P	CLIP CABLE STANDOFF (PKT 2)
11	574182	TRIM ASSY OVEN FRONT RH BK
	<i>Includes 574149</i>	<i>BRACKET HINGE SUPPORT</i>
12	574073	BRACKET ELEMENT LOWER
13	574078	PANEL BASE
14	574277P	KIT FEET/SCREWS (PKT 4)
	<i>Includes 556636</i>	<i>SCREW ST 7X13 TAB MSHPH ZP</i>
15	574083	TRIM FRAME LOWER BK
16	574062	GASKET OVEN 53LT
17	574063	GASKET FRAME
18	574087	PANEL SIDE LEFT
19	574183	TRIM ASSY OVEN FRONT LH BK
	<i>Includes 574149</i>	<i>BRACKET HINGE SUPPORT</i>
20	574202P	FAN COOLING (E) (SP)
21	574079	PANEL VENTING UPPER
22	574081	PANEL VENTING LOWER
23	574080	PANEL VENTING MIDDLE
24	574145P	GROMMET RUBBER (PKT 12)
25	574215	PANEL TOP
26	574090	LIMITER 120 CAMPINI
27	574339	LIMITER 55C CAMPINI
28	574132	CLIP LIMITER
NI	556639	SCREW CLIP LIMITER
29	574214	CLIP THERMST TUBE HINGED ELMNT
30	574082	PANEL INNER REAR FAN MOUNTING
31	574149	BRACKET HINGE SUPPORT

DOOR ASSEMBLY

Fisher&Paykel
appliances



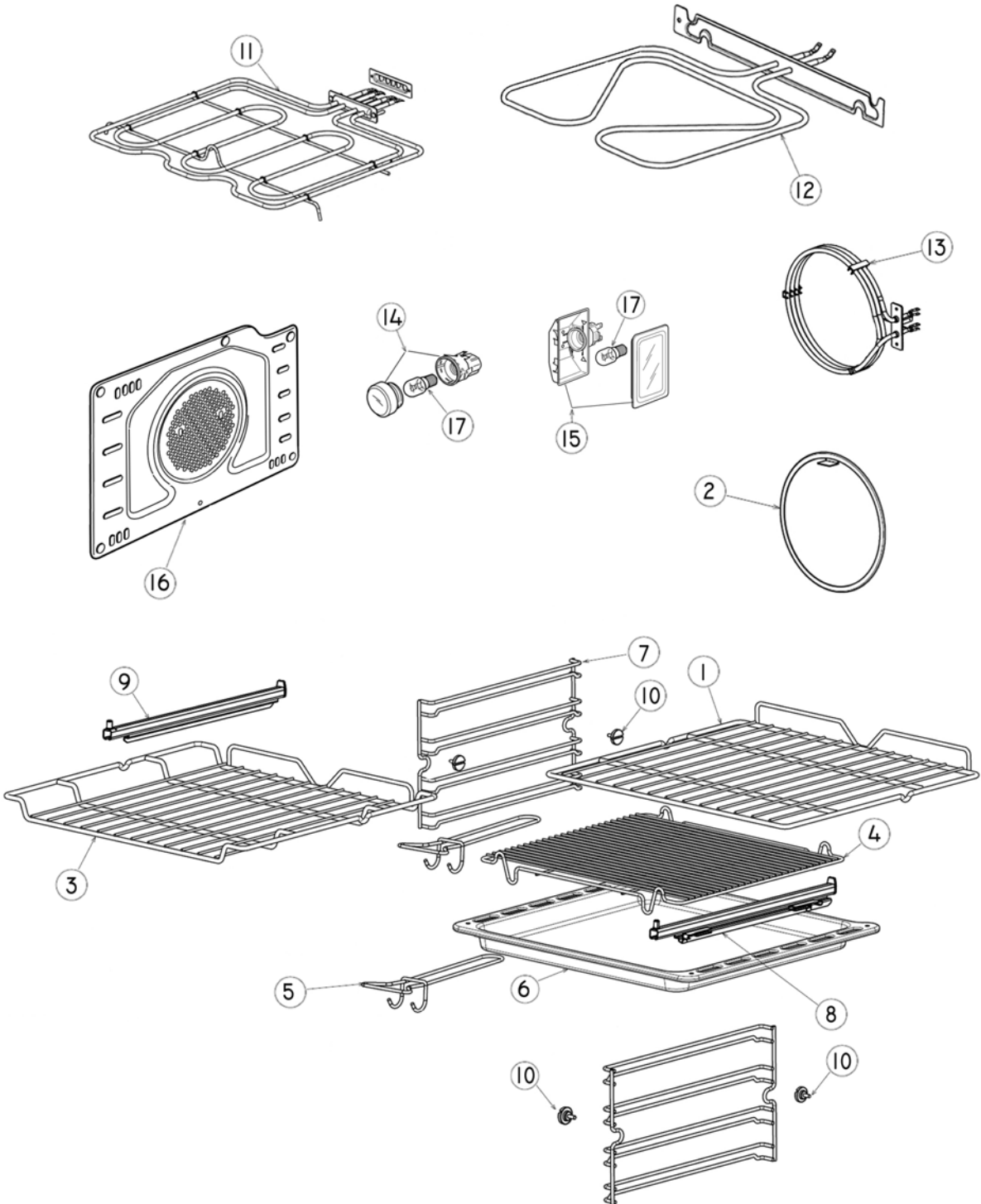
DWG000934

DOOR ASSEMBLY

REF	PART	DESCRIPTION
1	574224P	GLASS&BRACKET ASSY FULL FP SS (SP)
	<i>Includes</i>	<i>PANEL DOOR LZD LOWER 60 SS</i>
	<i>Includes</i>	<i>GLASS DOOR FRONT 60</i>
	<i>Includes</i>	<i>BRACKET DOOR LOWER</i>
2	574417	BRACKET DOOR TOP BK
3	574418	BRACKET DOOR 3 PANE LH BK
4	574419	BRACKET DOOR 3 PANE RH BK
5	574150	SPACER DOOR INNER 3 PANE TOP
6	574151	SPACER DOOR INNER 3 PANE BTM
7	574145P	GROMMET RUBBER (PKT 12)
8	574091	HINGE DOOR
9	574226P	GLASS DOOR MIDDLE OB60 (SP)
10	574227P	GLASS DOOR INNER OB60 (SP)
11	574122P	HANDLE CURVED ASSY
12	574387P	SCREW HANDLE M5X26 2 (PKT 2)
13	574124	GASKET DOOR INNER TOP
14	574146P	WASHER 21 11 0.5 SILICONE (PKT 2)
15	574147P	O RING 9X6X2 (PKT 10)
16	574480P	GROMMET DOOR BRACKET (PKT 10)
NI	574479P	NUT SPIRE NO 6P (PKT 10)

ELEMENTS AND ACCESSORIES

Fisher's Paykel
appliances



ELEMENTS AND ACCESSORIES

REF	PART	DESCRIPTION
1	574250	RACK BAKE OB60
2	574100	FILTER FAT
3	574251	RACK STEPDOWN OB60
4	574099	RACK GRILL INSERT OB60
5	574114	HANDLE GRILL TRAY
6	574395P	TRAY BAKING ENAM ELBA GREY (SP)
7	574399	SIDE RACK EU
8	574088	RUNNER TELESCOPIC RH
9	574089	RUNNER TELESCOPIC LH
10	574141P	SCREW SIDE WIRE RACK (PKT 4)
11	574481	ELEMENT TOP & GRILL OB60
12	574397	ELEMENT BAKE ASSY OB60 CLASS A
13	574068	ELEMENT FAN ASSY OB60
14	574065P	LAMP ASSY REAR 77.222 (25W) (SP)
	<i>Includes 574402</i>	<i>LAMP FLOODLIGHT 230V EU</i>
15	574066P	LAMP ASSY SIDE 77.722.2104.23 (SP)
	<i>Includes 574402</i>	<i>LAMP FLOODLIGHT 230V EU</i>
16	574396	SHROUD FAN OB60 ELBA GREY
17	574402	LAMP FLOODLIGHT 230V EU
NI	542061	BOOK SERVICE & WARRANTY
NI	599407	BOOK USR/INSTL OB6MULTI EU-SCA
NI	599408	BOOK USR/INSTL OB6MULTI EU-CON

FISHER & PAYKEL/ELBA PARTS CROSS REFERENCE

F&P PART NUMBER	ELBA PART NUMBER
542061	NA
556636P	0K01008
556639P	K001106
574009	218000F426
574054P	K040075
574055P	K1031058
574062	053087
574063	053074
574065P	K072010
574066P	K072015
574068	062097004
574071	030190.1
574073	51BF603
574078	411F602
574079	411F605
574080	421F602Z
574081	411F607
574082	421F603Z
574083	08328400H
574086	411F6D1Z
574087	411F6S1Z
574088	1031037
574089	1031038
574090	066056
574091	063120
574092	411F603
574099	217546
574100	103085
574116	51BF614S.2
574124	053125
574131	051046
574132	103523
574141P	K001142
574145P	K040056
574146P	K003033
574147P	K003062
574148P	K103672
574149	094390
574150	1031052
574151	1031053
574177P	NA
574182	51BF601DH
574183	51BF601SH
574185P	K040011

Continued next page

FISHER & PAYKEL/ELBA PARTS CROSS REFERENCE

F&P PART NUMBER	ELBA PART NUMBER
574188	217550
574197P	K001265
574199P	K074041
574202P	K079017
574207	07306202.2
574214	213023
574215	411F604
574224P	K032F62569
574226P	K031257OTH
574227P	K0312571TH
574250	217551.1
574251	217558.2
574252	35MF6005H
574253	050028
574257P	K032F62572
574277P	K040031002 & K001008
574339	066080
574389	073039.2
574391	073044.2
574392P	K450F61EM35
574393	030188
574394	030189
574395P	Contains 48BF601P plus packaging
574397	062128004
574398	054069
574400P	K079023
574402	073013001
574403	037224.1
574404	473070
574405	473100
574406	066157
574407	47AF6020
574417	51BF623H
574418	51AF621SH
574419	51AF621DH
574420	NA
574479P	K213028
574480P	K040051

NOTES